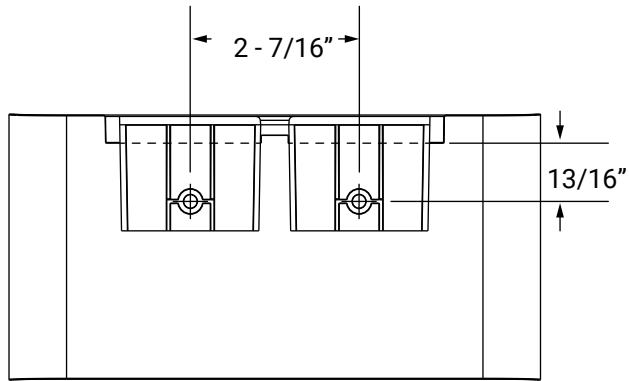
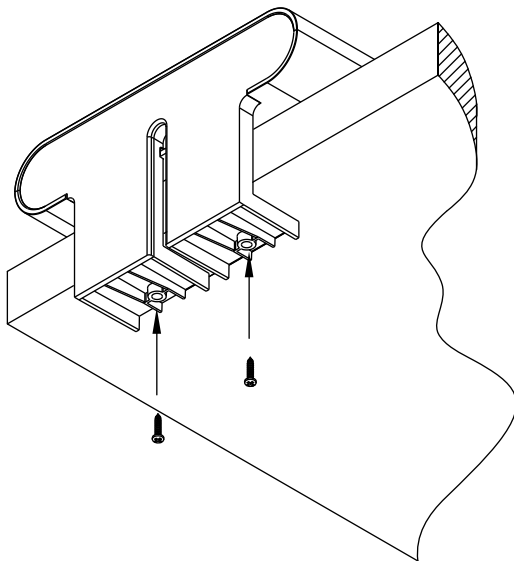
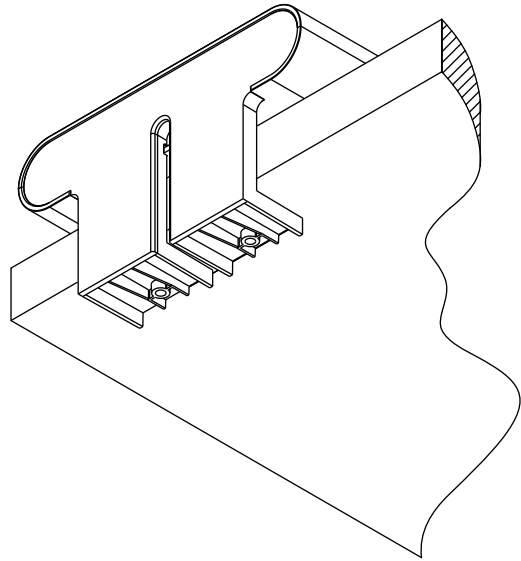




## INSTALLATION INSTRUCTIONS FOR ELLIPSE



Use screws (not provided) to mount the Ellipse into position as shown.



To prevent damage to table top please note: Assuming a desktop at least 3/4" thick, drill pilot holes a maximum of 1/2" deep to keep from drilling through the table top. Over tightening of screws during installation or adjustments can damage the product and affect the function and warranty.