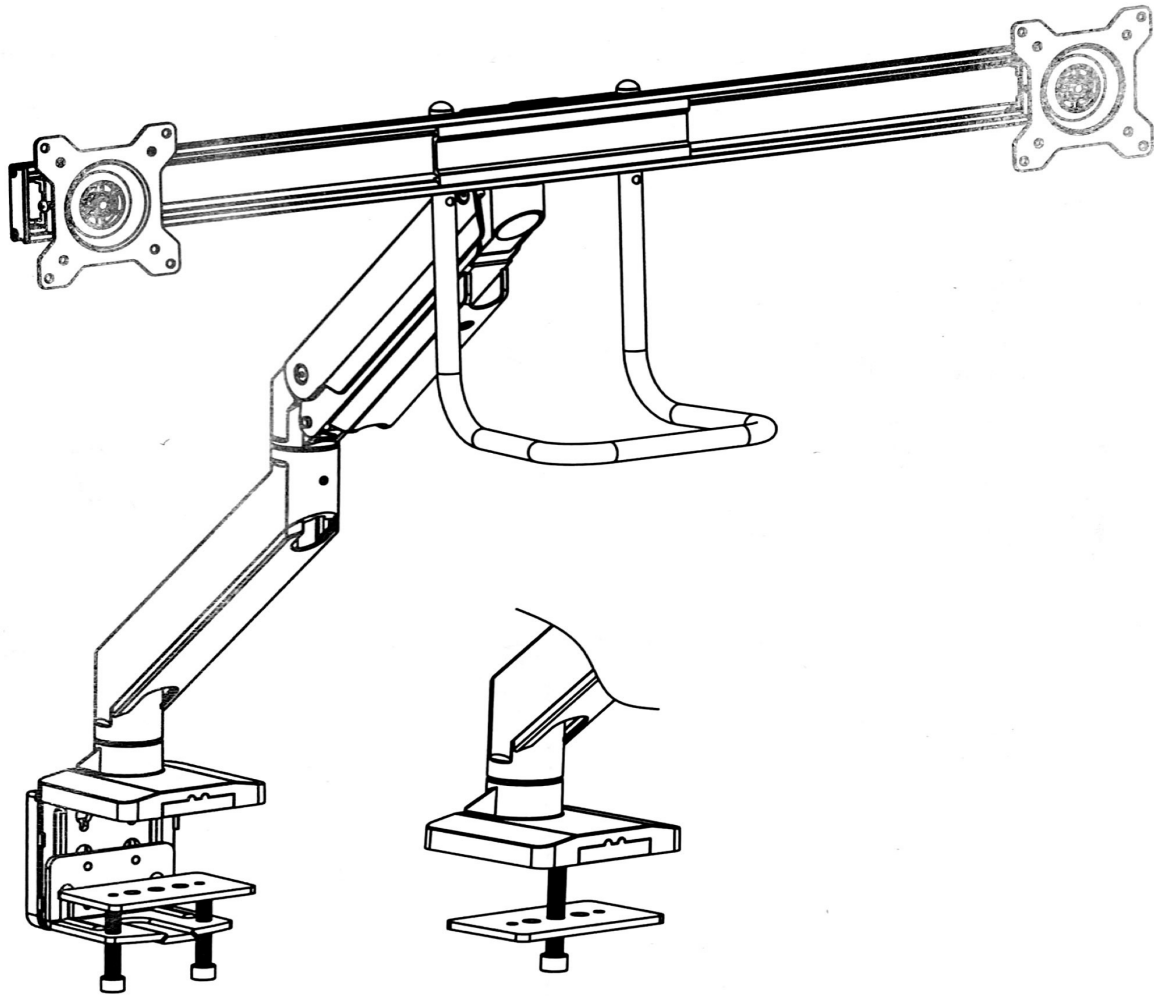




INSTALLATION MANUAL

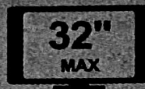
Heavy-duty Monitor Desk Mount

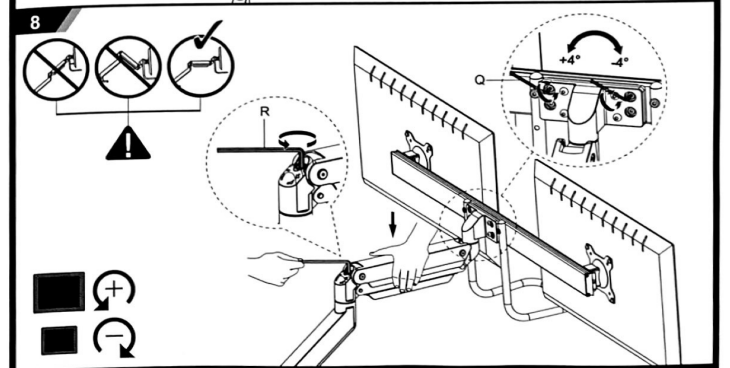
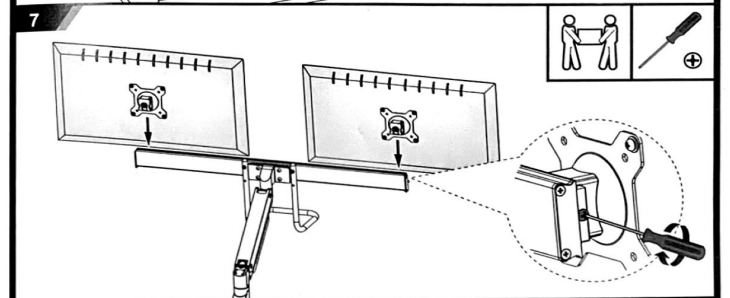
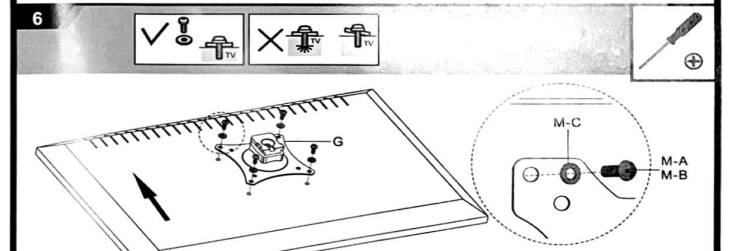
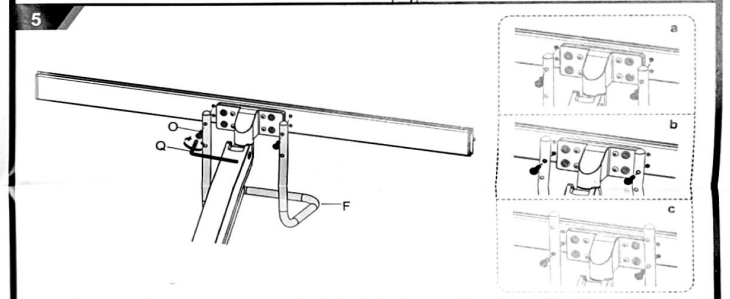
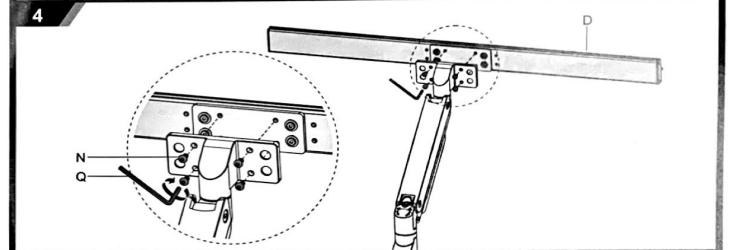
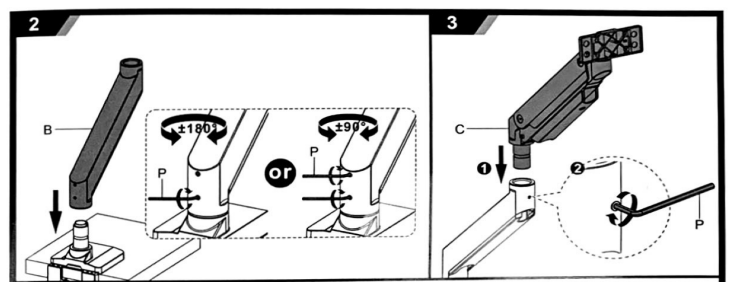
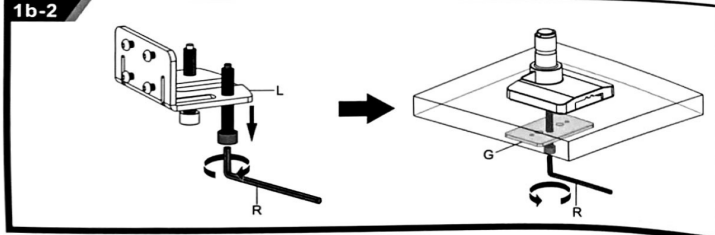
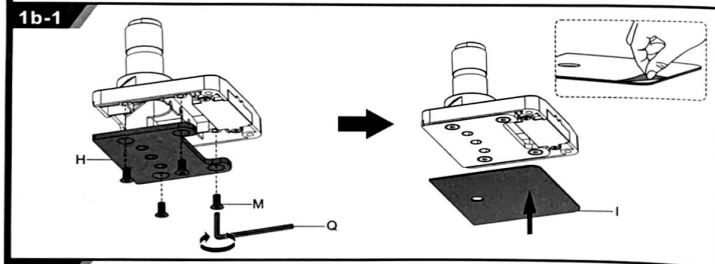
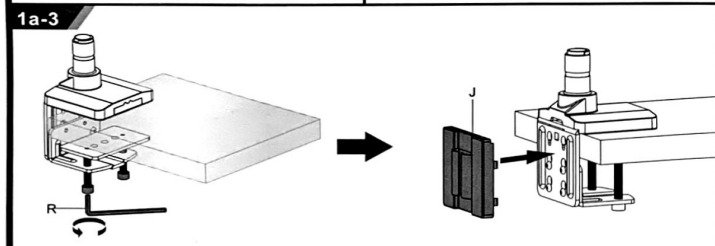
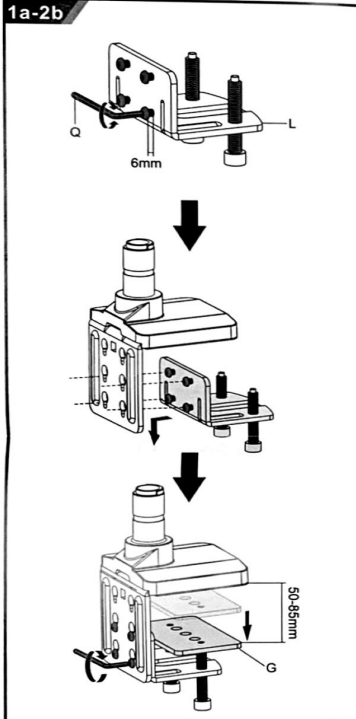
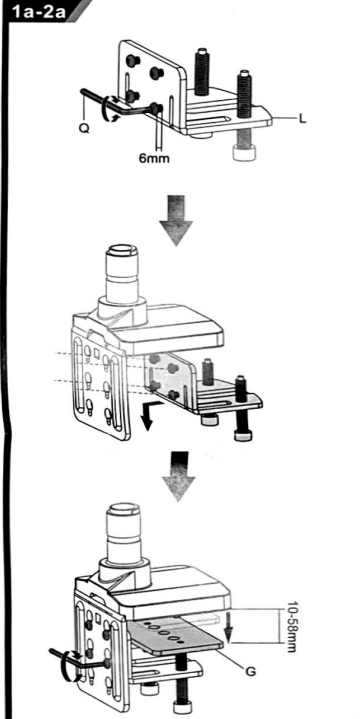
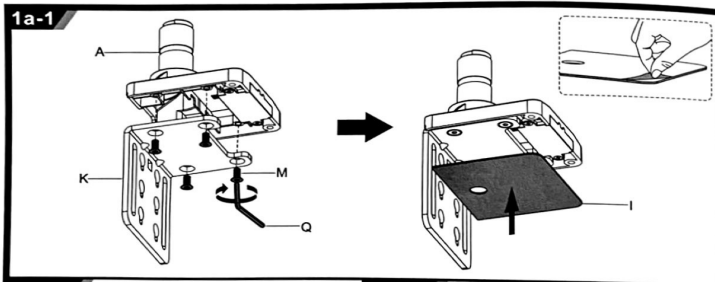
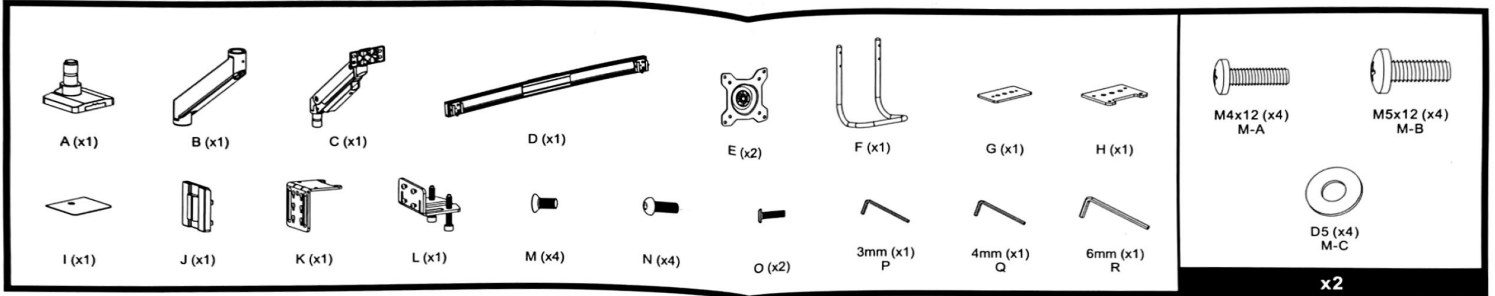


Echo-Slide2

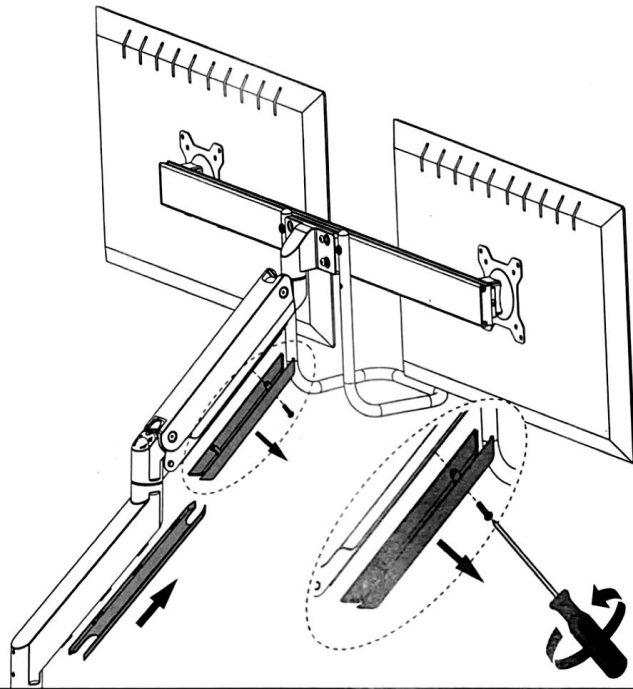


75x75
100x100

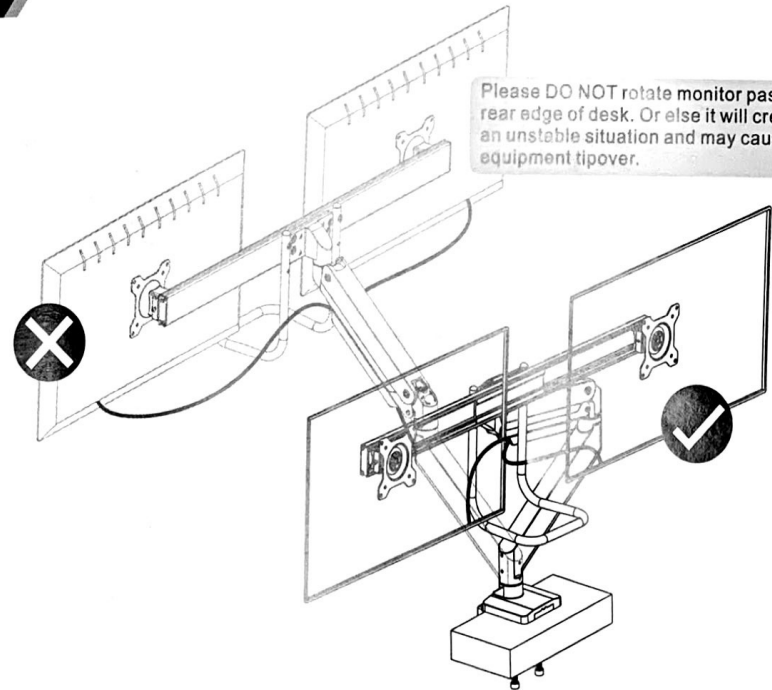




9

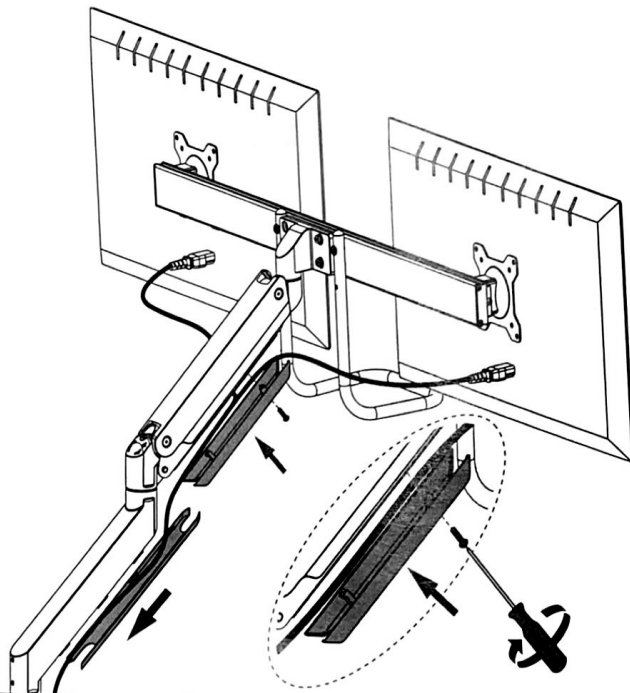


11



Please DO NOT rotate monitor past rear edge of desk. Or else it will create an unstable situation and may cause equipment tipover.

10



12

